

SALES REPRESENTATIVE: \_\_\_\_\_ DATE: \_\_\_\_\_

**MULTIPLIERS:**

**CABINETS:** \_\_\_\_\_ **VANITIES:** \_\_\_\_\_ **ELEMENTS:** \_\_\_\_\_

**ASSEMBLY:** Base & Wall Cabinets - \$15.00 per  
Pantry & Oven Cabinets - \$30.00 per  
*Assembled orders must be paid in full prior to assembly*

**FREIGHT & DELIVERY:** please call or request Quote.

All Orders are to be PREPAID prior to shipping  
*Cash - Certified Check - Master Card - Visa*  
*We do NOT Accept Personal Checks or American Express & Discover*

**SPECIAL ORDERS:**

Orders are to be paid-in-Full, at time of final approval.  
SPECIAL ORDERS ARE NON-REFUNDABLE

Exchanges or Returns - Are subject to MANAGEMENT Discretion and approval  
25% Re-stock charge applies on all approved returns! RMA # is Required

*Contact Sales Representative for Showroom Display, Project & Container Discounts*  
*ADDITIONAL DOOR SAMPLES - \$10.00 EACH*

**PRICES & AVAILABILITY SUBJECT TO CHANGE WITHOUT NOTICE**



**PRESTIGE**  
Maple Species,  
Raised Panel  
Side Mount  
Draw Glides  
& Standard  
Hinges



**SAHARA**  
Maple Wood  
Species,  
Raised Panel  
Side Mount  
Draw Glides  
& Standard  
Hinges



**LEXINGTON**  
Alder Wood  
Species,  
Raised panel  
Full extension  
soft close  
Draw Glides &  
Soft-close hinges



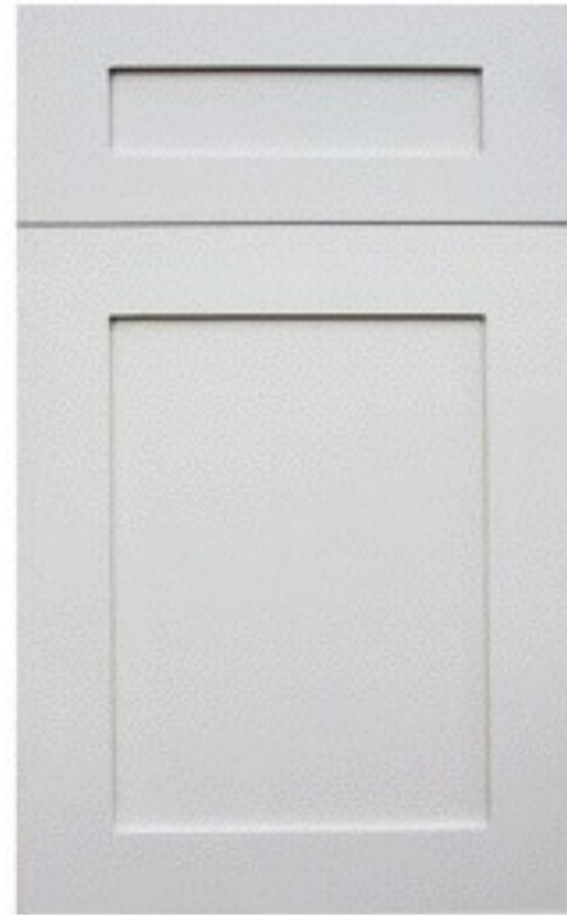
**ROCKPORT**  
Alder Wood  
Species,  
Raised panel  
Full extension  
soft close  
Draw Glides &  
Soft-close hinges



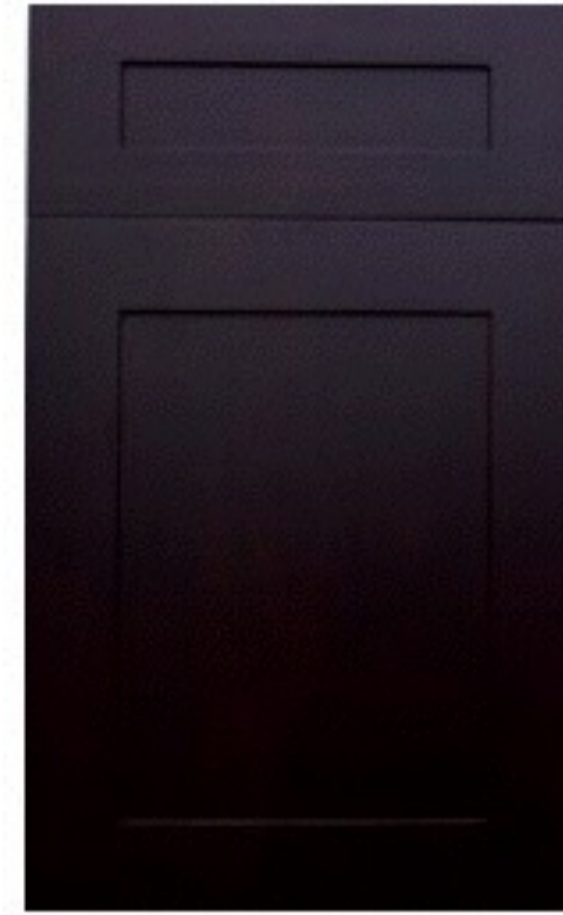
**CAMDEN**  
Alder Wood  
Species,  
Raised panel  
Full extension  
soft close  
Draw Glides &  
Soft-close hinges



**TOSCANA**  
Alder Wood  
Species,  
Shaker Style,  
Full extension  
soft close  
Draw Glides &  
Soft-close hinges



**HAMPTON**  
Alder Wood  
Species, Shaker  
Full extension  
soft close Draw  
Glides & Soft-  
close hinges



**MADISON**  
Alder Wood  
Species,  
Shaker Full  
extension soft  
close Draw Glides  
& Soft-close  
hinges



**BOARDWALK**  
Alder Wood  
Species,  
Soft pillowed  
Raised panel  
Full extension soft  
Close Draw  
Glides & Soft-  
close hinges



**ASPEN**  
Alder Wood Species,  
Raised Panel  
Side Mount  
Full extension soft  
close draw glides &  
soft close hidges

### Doors

We use select grade North American grown Alder in our price levels B and C doors. Alder is attractive and durable, and shows a very uniform and beautiful pattern of grain. All the batches of raw materials carry the forest stewardship council mark. Alder is widely used and popular in the cabinet industry for making doors. Alder is a light red to brownish wood from a deciduous tree in the birch family. The grains of this wood are fine and tight and it is easily sanded and finished. Alder is an environmentally friendly cabinet wood because it is renewable and fast-growing. It grows throughout North and South America from the Rockies to the Andes down to Chile. It has a grain similar to Cherry. It is stable and resists splitting of screws.



### Carcasses

Carcasses are made of CARB Phase II certified plywood with wood veneer. There is no formaldehyde added in the process of making our plywood.

The carcasses are ¾" plywood on sides, bottom and top (wall cabinets), and reinforced with framed backing. Our boxes are constructed with dowels, cams and screws. Our cabinet boxes are the steadiest boxes you will find in the market.

### Finish

The WoodTrends Series doors are multi-step finished with two-part post-catalyzed conversion varnish. We use formaldehyde free, high performance finish conversion varnish that is hard, heat resistant, chemical resistant, and has exceptional non-yellowing characteristics. Conversion varnish is more durable and has a higher elasticity, which allows it to hold up better through wood joint expansion as compared to traditional lacquer.

The carcasses are finished UV lacquer, which is durable, environmentally-friendly and free from formaldehyde and hazardous substances. This lacquer is not only kind to the environment but also to the environment at our production facilities.

UV lacquer hardens when exposed to ultraviolet light. This makes the lacquer completely harmless and gives an attractive and robust finish that can tolerate even the roughest treatment.

### Drawer box

The drawer box for the WoodTrends Series is constructed of solid wood with a clear finish and are connected with tight dovetail joints.

### Shelving

One full length Adjustable shelf comes with every 30" tall wall cabinets. Two shelves come with 36" tall wall cabinets and three come with 42" tall cabinets. Half length adjustable shelving comes with every base cabinet. Shelves are made of ¾" plywood and finished front and back.

### Toe kick

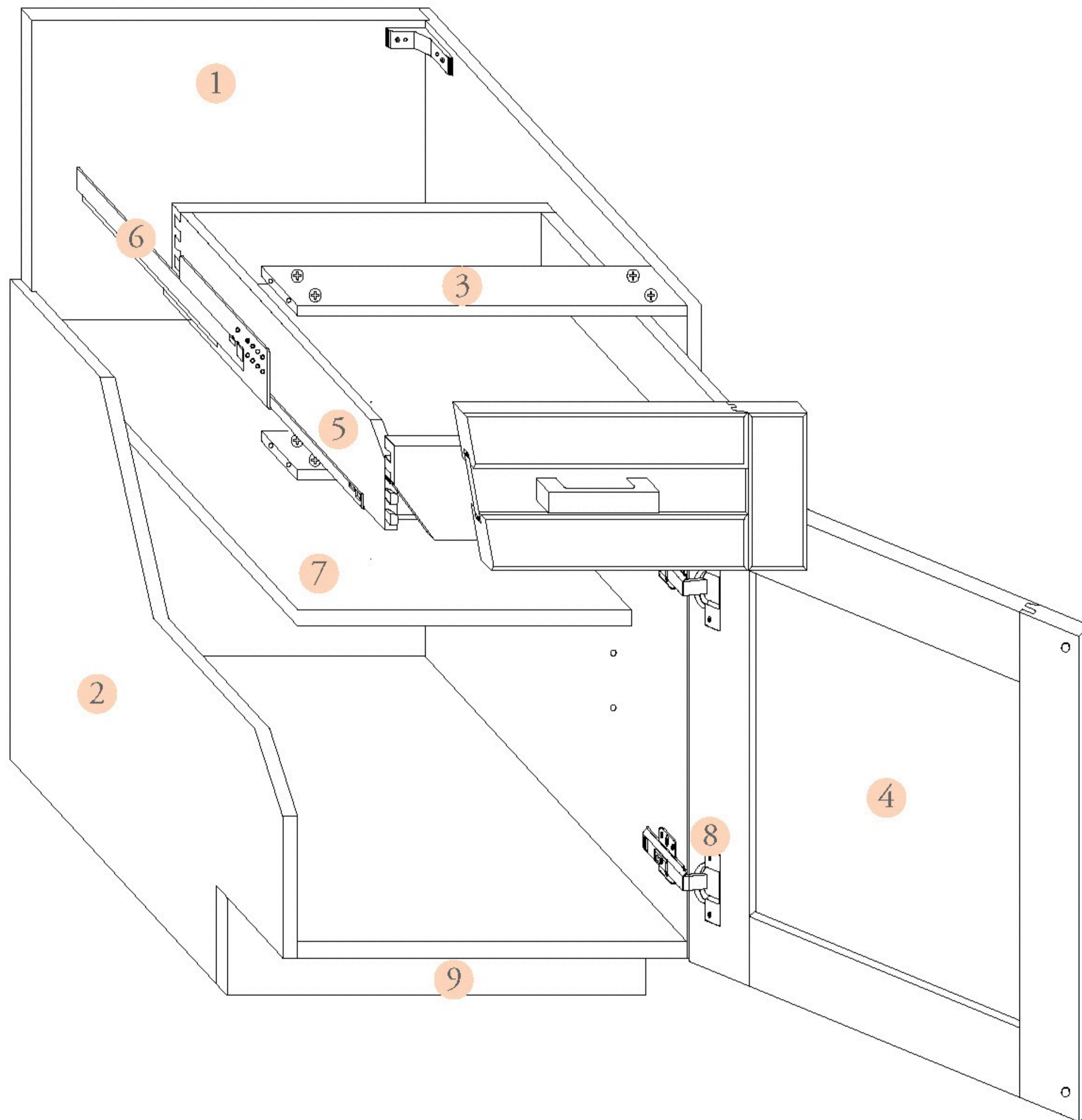
Every base cabinet comes with ¾" toe kick that is finished both ends. 96" x 4 ½" x 5mm toe kicks are available as well.

### Slides

Under mounted, full extension, soft closing slides are used in Lexington, Toscana, Madison, Hampton, Camden, Rockport, and Boardwalk. Side mounted full extension slides are used in Prestige.

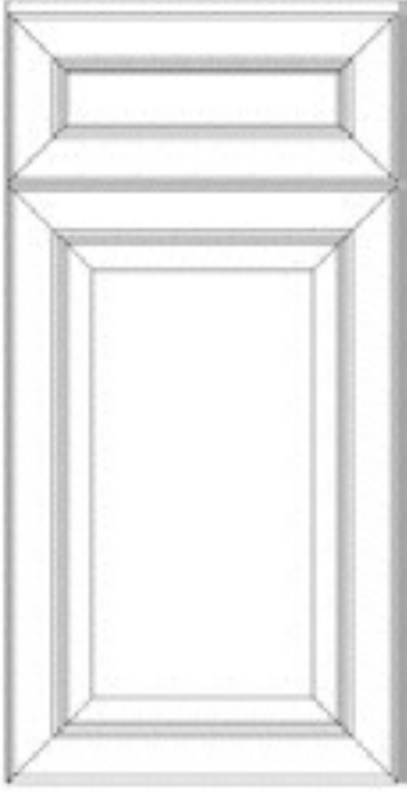
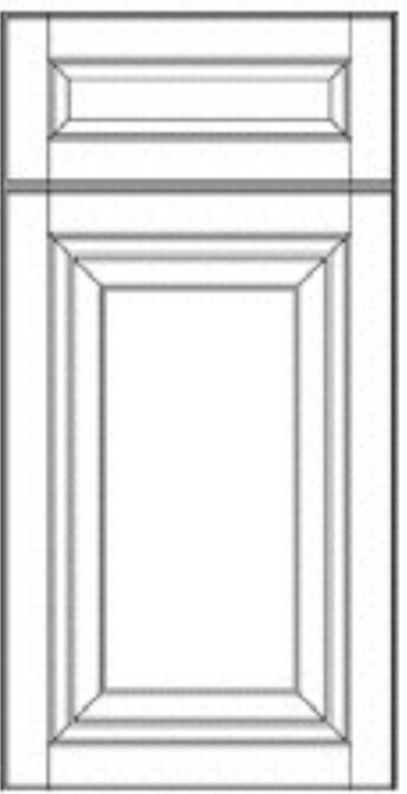
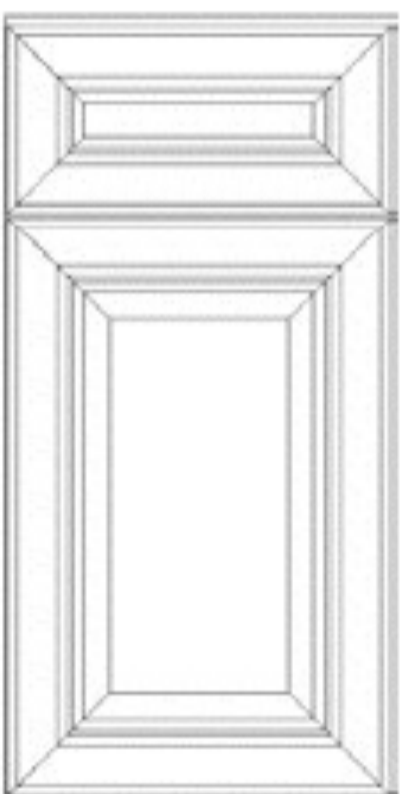
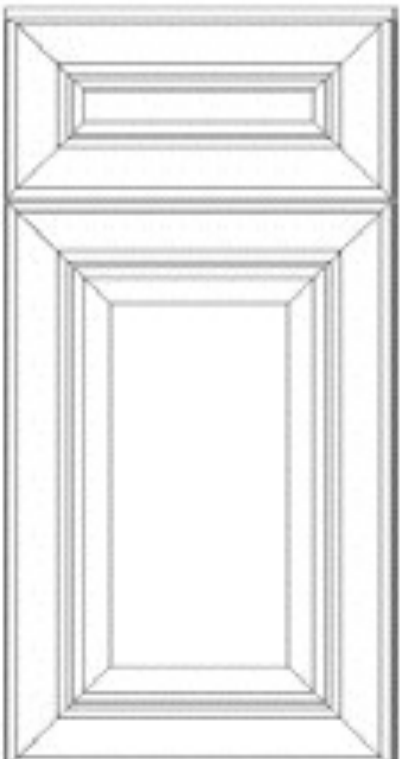
### Hinges:

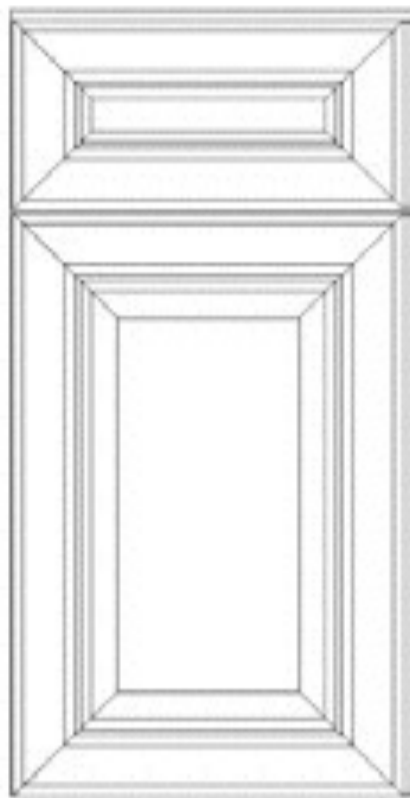
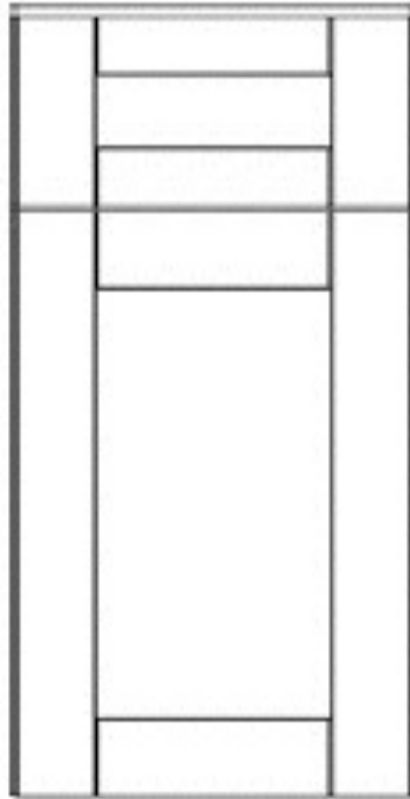
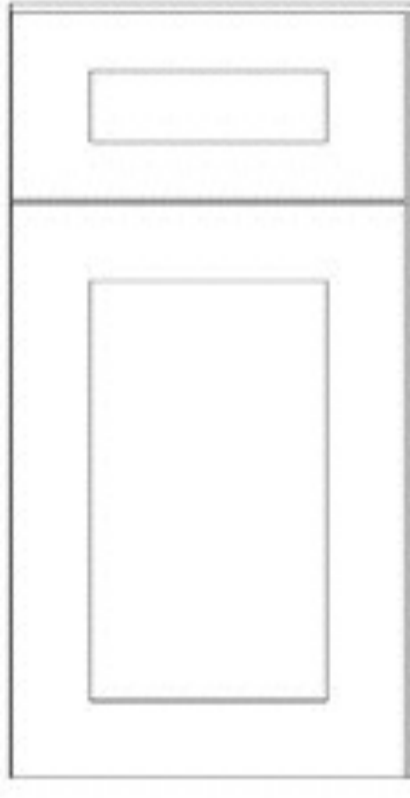
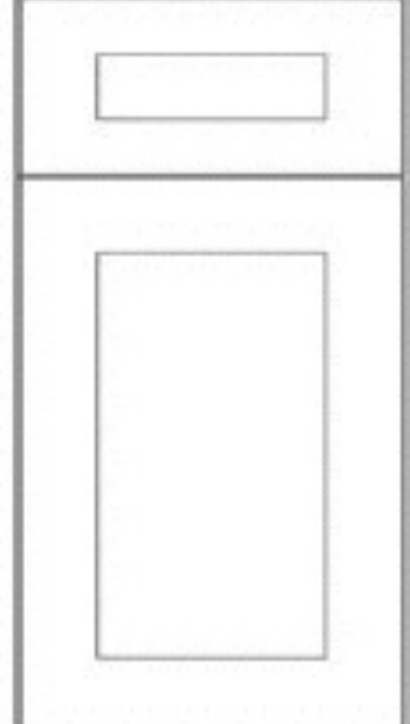
6-way adjustable, concealed, 110 degree soft closing hinges are used in Lexington, Toscana, Madison, Hampton, Camden, Rockport, and Boardwalk. Soft closing hinges are not available for special cabinets such as lazy susans and diagonal corner cabinets. Regular 6-way adjustable, concealed, 110 degree are used in Prestige.

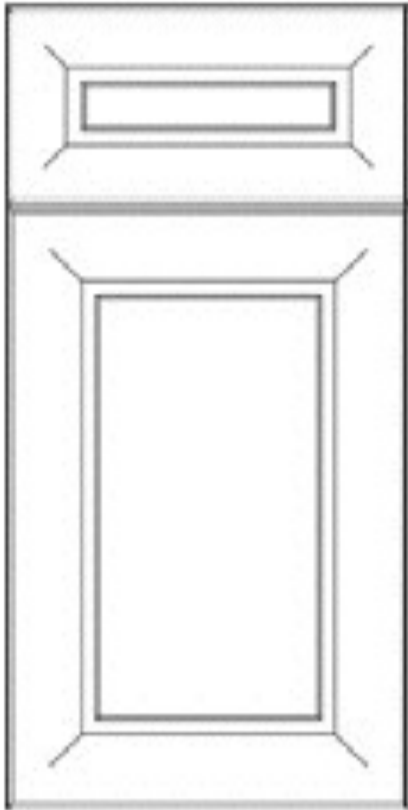
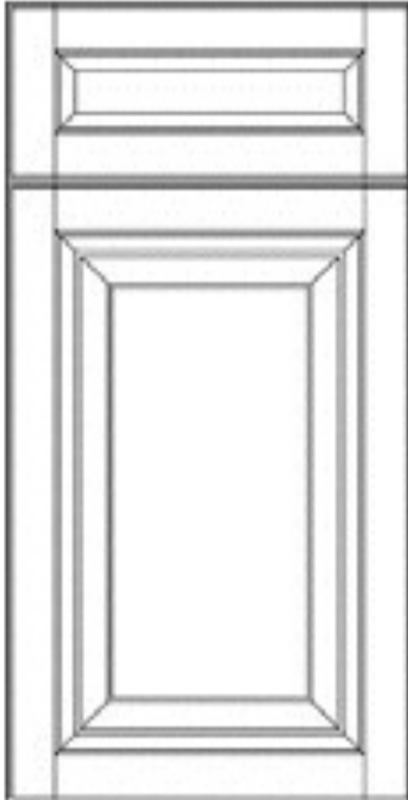


- 1 ¼" finished inside plywood with ½" x 2 ½" framing. Set into side panels with dado cut and secured with screws and metal L brackets to the side panels.
- 2 ¾" Side and bottom, top (for wall cabinets) plywood, edge banding for exposed sides.
- 3 ¾" bridges to add strength to the cabinets, connected to side panels with dowels and cams.
- 4 ¾", true 5-piece construction solid wood doors. Reversed raised solid wood panel for all shaker doors.
- 5 Clear finished 5/8" solid wood and dove tail connected drawer sides with ¼" plywood drawer bottom set into dado cut channels.

- 6 Undermounted, soft closing slides except for Prestige and Sahara.
- 7 15" deep ¾" plywood adjustable shelf, with edge banding front and back.
- 8 6 way adjustable soft closing hinges.
- 9 ¾" toe kick with edge banding both sides that comes with every base cabinet.

<i>Name</i>	<i>Price Level</i>		<i>Description</i>
<b>PRESTIGE</b>	<b>A</b>		<p>Full overlay Door Design                      5 Piece Raised Panel Door with Finger Miter Joint Stile and Rail                      Door and Drawer Front Have 2 1/2" wide Stiles and Rails                      Solid Wood Center Panel</p>
<b>SAHARA</b>	<b>A</b>		<p>Full overlay Door Design                      5 piece Raised Panel door and draw front with tongue and groove joint stiles and rails                      door and drawer front have 2 1/2" wide stiles and rails.                      Solid Wood Center Panel</p>
<b>LEXINGTON</b>	<b>B</b>		<p>Full overlay Door Design                      5 Piece Raised Panel Door and Drawer Front with Finger Miter Joint Stile and Rail                      Door and Drawer Fronts Have 3" wide Stiles and Rails                      Solid Wood Center Panel</p>
<b>ROCKPORT</b>	<b>B</b>		<p>Full overlay Door Design                      5 Piece Raised Panel Door and Drawer Front with Finger Miter Joint Stile and Rail                      Door and Drawer Front Have 3" wide Stiles and Rails                      Solid Wood Center Panel</p>

<i>Name</i>	<i>Price Level</i>		<i>Description</i>
<b>CAMDEN</b>	<b>B</b>		<p>Full overlay Door Design                      5 Piece Raised Panel Door and Drawer Front with Finger Miter Joint Stile and Rail                      Door and Drawer Front Have 3" wide Stiles and Rails                      Solid Wood Center Panel</p>
<b>TOSCANA</b>	<b>B</b>		<p>Full overlay Door Design                      5 Piece Reverse Raised Panel Door and Drawer Front with Tongue and Groove Joint Stile and Rails                      Door and Drawer Front Have 3" wide Stiles and Rails                      Solid Wood Center Panel</p>
<b>HAMPTON</b>	<b>C</b>		<p>Full overlay Door Design                      5 Piece Reverse Raised Panel Door and Drawer Front with Tongue and Groove Joint Stile and Rails                      Door and Drawer Front Have 3" wide Stiles and Rails                      Solid Wood Center Panel</p>
<b>MADISON</b>	<b>C</b>		<p>Full overlay Door Design                      5 Piece Reverse Raised Panel Door and Drawer Front with Tongue and Groove Joint Stile and Rails                      Door and Drawer Front Have 3" wide Stiles and Rails                      Solid Wood Center Panel</p>

<i>Name</i>	<i>Price Level</i>		<i>Description</i>
<b>BOARDWALK</b>	<b>C</b>		<p>Full overlay Door Design                      5 Piece Raised Panel Door and Drawer Front with Finger Miter Joint Stile and Rail                      Door and Drawer Front Have 3" wide Stiles and Rails with Pillowed detailing                      Solid Wood Center Panel</p>
<b>ASPEN</b>	<b>C</b>		<p>Full overlay Door Design                      5 piece Raised Panel door and draw                      front with tongue and groove joint stiles and rails                      door and drawer front have 2 1/2" wide stiles and rails.                      Solid Wood Center Panel</p>



### Wall Cabinets 42" (Single Door)



Item	Width	Height	Depth	A	B	C
W 642	6	42	12	N/A	\$370	\$407
W 942	9	42	12	N/A	\$411	\$453
W 1242	12	42	12	N/A	\$492	\$542
W 1542	15	42	12	N/A	\$547	\$602
W 1842	18	42	12	N/A	\$603	\$664
W 2142	21	42	12	N/A	\$674	\$742

*W 642 is only available with a slab door*

### Wall Cabinets 42" (Double Doors)



Item	Width	Height	Depth	A	B	C
W 2442	24	42	12	N/A	\$774	\$852
W 2742	27	42	12	N/A	\$849	\$934
W 3042	30	42	12	N/A	\$904	\$995
W 3342	33	42	12	N/A	\$974	\$1,072
W 3642	36	42	12	N/A	\$1,066	\$1,173

### Wall Cabinets 36" (Single Door)



Item	Width	Height	Depth	A	B	C
W 636	6	36	12	\$280	\$317	\$349
W 936	9	36	12	\$311	\$352	\$388
W 1236	12	36	12	\$373	\$422	\$464
W 1536	15	36	12	\$414	\$469	\$516
W 1836	18	36	12	\$457	\$517	\$568
W 2136	21	36	12	\$510	\$578	\$636

*W 636 is only available with a slab door*

### Wall Cabinets 36" (Double Doors)



Item	Width	Height	Depth	A	B	C
W 2436	24	36	12	\$585	\$663	\$730
W 2736	27	36	12	\$643	\$728	\$801
W 3036	30	36	12	\$684	\$775	\$853
W 3336	33	36	12	\$737	\$835	\$918
W 3636	36	36	12	\$807	\$914	\$1,005

### Wall Cabinets 30" (Single Door)



Item	Width	Height	Depth	A	B	C
W 630	6	30	12	\$239	\$271	\$298
W 930	9	30	12	\$266	\$301	\$331
W 1230	12	30	12	\$318	\$360	\$396
W 1530	15	30	12	\$354	\$401	\$441
W 1830	18	30	12	\$390	\$442	\$486
W 2130	21	30	12	\$436	\$494	\$543

W 630 is only available with a slab door

### Wall Cabinets 30" (Double Doors)



Item	Width	Height	Depth	A	B	C
W 2430	24	30	12	\$501	\$567	\$624
W 2730	27	30	12	\$549	\$622	\$684
W 3030	30	30	12	\$585	\$662	\$729
W 3330	33	30	12	\$630	\$713	\$785
W 3630	36	30	12	\$690	\$781	\$859

### Wall Cabinets 24" (Double Doors)



Item	Width	Height	Depth	A	B	C
W 3024	30	24	12	\$465	\$527	\$579
W 362412	36	24	12	N/A	\$639	\$703
W 362424	36	24	24	N/A	\$790	\$869

### Wall Cabinets 21" (Double Doors)



Item	Width	Height	Depth	A	B	C
W 3021	30	21	12	\$423	\$479	\$527
W 33621	30	21	12	N/A	N/A	N/A

### Wall Cabinets 18" (Double Doors)



Item	Width	Height	Depth	A	B	C
W 3018	30	18	12	\$382	\$432	\$475
W 3318	33	18	12	\$397	\$449	\$494
W 3618	36	18	12	\$458	\$519	\$571
W 361824	36	18	24	\$610	\$691	\$760

### Wall Cabinets 15" (Double Doors)



Item	Width	Height	Depth	A	B	C
W 3015	30	15	12	\$356	\$403	\$443
W 3315	33	15	12	\$374	\$424	\$467
W 3615	36	15	12	\$393	\$446	\$491

### Wall Cabinets 12" (Double Doors)



Item	Width	Height	Depth	A	B	C
W 3012	30	12	12	\$324	\$367	\$404
W 3312	33	12	12	\$352	\$383	\$421
W 3612	36	12	12	\$352	\$399	\$439
W 361224	36	12	24	\$524	\$593	\$652

### Wall Blind Corner Cabinet 42"



Item	Width	Height	Depth	A	B	C
WBC 2742	27	42	12	N/A	\$904	\$934
WBC 3342	33	42	12	N/A	\$1,083	\$1,072

### Wall Blind Corner Cabinet 36"



Item	Width	Height	Depth	A	B	C
WBC 2736	27	36	12	\$707	\$801	\$881
WBC 3036	30	36	12	N/A	N/A	N/A
WBC 3336	33	36	12	\$872	\$988	\$1,086

### Wall Blind Corner Cabinet 30"



Item	Width	Height	Depth	A	B	C
WBC 2730	27	30	12	\$707	\$801	\$881
WBC 3330	33	30	12	N/A	N/A	N/A

### Angle Wall Cabinet 12" Deep



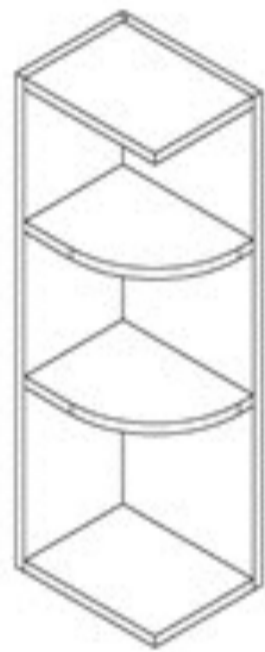
Item	Width	Height	Depth	A	B	C
AWC 2430	24	30	12	\$668	\$757	\$832
AWC 2436	24	36	12	\$782	\$885	\$974
AWC 2442	24	42	12	N/A	\$1,014	\$1,116

### Angle Wall Cabinet 15" Deep



Item	Width	Height	Depth	A	B	C
AWC 273615	27	36	15	\$751	\$851	\$936
AWC 274215	27	42	15	\$923	\$996	\$1,096

### Wall End Open Shelf



Item	Width	Height	Depth	A	B	C
WEOS 930	9	30	12	\$260	\$294	\$324
WEOS 936	9	36	12	\$304	\$344	\$379
WEOS 1242	12	42	12	N/A	\$441	\$486

### Wall Diagonal Cabinet



Item	Width	Height	Depth	A	B	C
WDC 1230	12	30	12	\$452	\$512	\$563
WDC 1236	12	36	12	\$543	\$615	\$676
WDC 1242	12	42	12	N/A	\$717	\$789

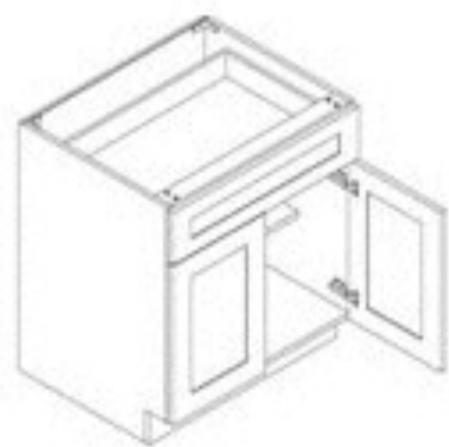
### Base Cabinets (Single Door)



Item	Width	Height	Depth	A	B	C
B 6	6	34 1/2	24	\$276	\$312	\$343
B 9	9	34 1/2	24	\$360	\$408	\$449
B 12	12	34 1/2	24	\$414	\$469	\$516
B 15	15	34 1/2	24	\$467	\$529	\$582
B 18	18	34 1/2	24	\$511	\$579	\$637
B 21	21	34 1/2	24	\$555	\$629	\$691

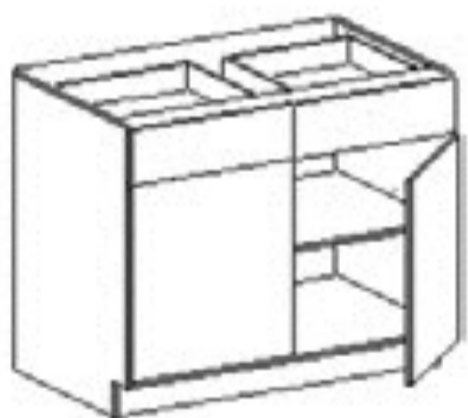
*B6 is only available with a Full Height Slab door*

### Base Cabinets (Double Doors)



Item	Width	Height	Depth	A	B	C
B 24	24	34 1/2	24	\$590	\$668	\$734
B 27	27	34 1/2	24	\$668	\$756	\$832
B 30	30	34 1/2	24	\$710	\$804	\$885

### Base Cabinets (Double Doors with double draws)



Item	Width	Height	Depth	A	B	C
B 33	33	34 1/2	24	\$748	\$847	\$932
B 36	36	34 1/2	24	\$791	\$896	\$986

### Drawer Base Cabinet



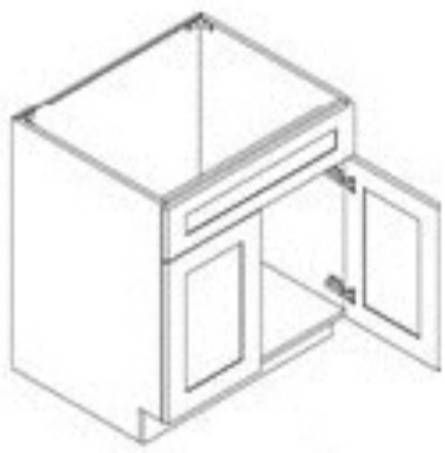
Item	Width	Height	Depth	A	B	C
DB 12-3	12	34 1/2	24	\$648	\$734	\$807
DB 15-3	15	34 1/2	24	\$677	\$767	\$844
DB 18-3	18	34 1/2	24	\$710	\$804	\$885
DB 21-3	21	34 1/2	24	\$789	\$893	\$982
DB 24-3	24	34 1/2	24	\$831	\$941	\$1,035
DB 27-3	27	34 1/2	24	\$847	\$959	\$1,055
DB 30-3	30	34 1/2	24	\$857	\$971	\$1,069
DB 33-3	33	34 1/2	24	\$909	\$1,029	\$1,132
DB 36-3	36	34 1/2	24	\$963	\$1,090	\$1,199

### Blind Corner Base



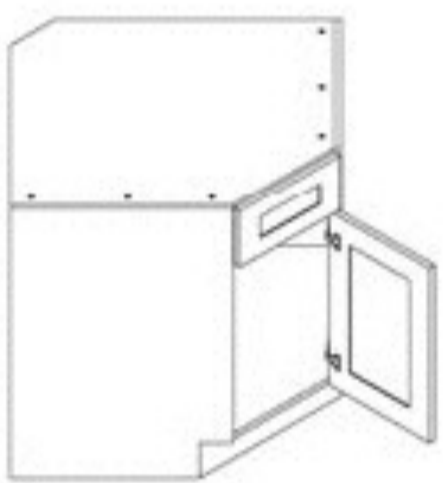
Item	Width	Height	Depth	A	B	C
BCB39	39	34 1/2	24	\$840	\$951	\$1,046
BCB42	42	34 1/2	24	\$901	\$1,020	\$1,122
BCB45	45	34 1/2	24	\$957	\$1,084	\$1,193

### Sink Base



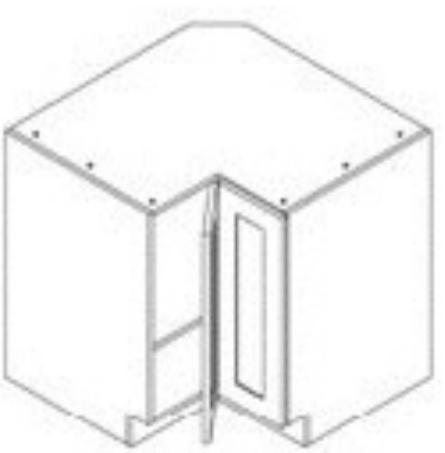
Item	Width	Height	Depth	A	B	C
SB 30	30	34 1/2	24	\$692	\$784	\$863
SB 33	33	34 1/2	24	\$736	\$834	\$918
SB 36	36	34 1/2	24	\$779	\$882	\$971

### Angle Sink Base



Item	Width	Height	Depth	A	B	C
ASB 36	36	34 1/2	24	\$1,123	\$1,272	\$1,399
ASB 42	42	34 1/2	24	\$1,227	\$1,389	\$1,528

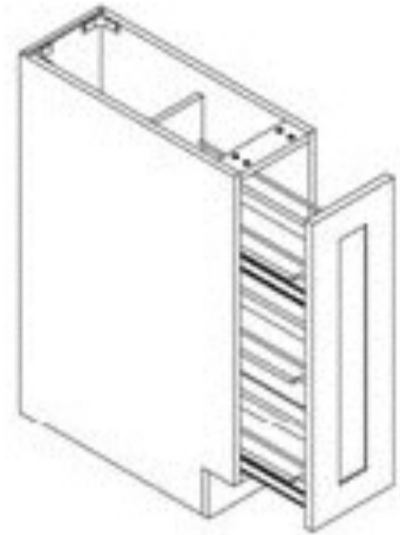
### Lazy Susan Base Cabinet



Item	Width	Height	Depth	A	B	C
LS 33	33	34 1/2	24	\$1,064	\$1,205	\$1,326
LS 36	36	34 1/2	24	\$1,145	\$1,297	\$1,427

*Lazy susan Metal rack sold separately, see accessories. Plywood shelves included*

### Base Pull Out



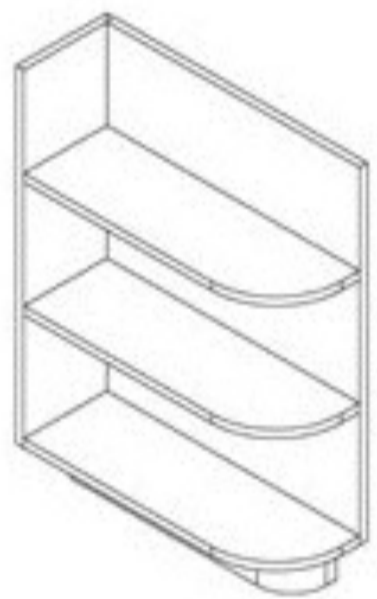
Item	Width	Height	Depth	A	B	C
BPO 6	6	34 1/2	24	\$474	\$546	\$601
BPO 9	9	34 1/2	24	\$548	\$621	\$683

### Base Wine Rack



Item	Width	Height	Depth	A	B	C
BWR 6	6	34 1/2	24	\$321	\$364	\$400

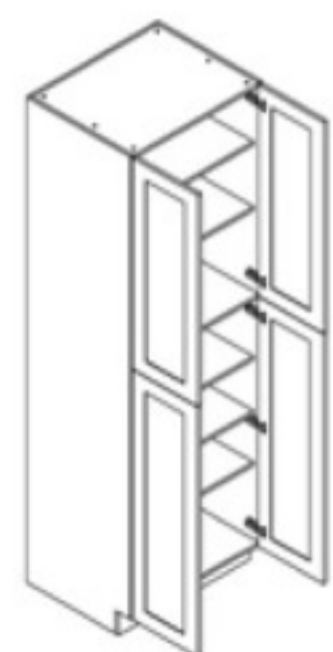
### Base End Cabinet



Item	Width	Height	Depth	A	B	C
BEC 9 R/L	9	34 1/2	24	\$343	\$388	\$427



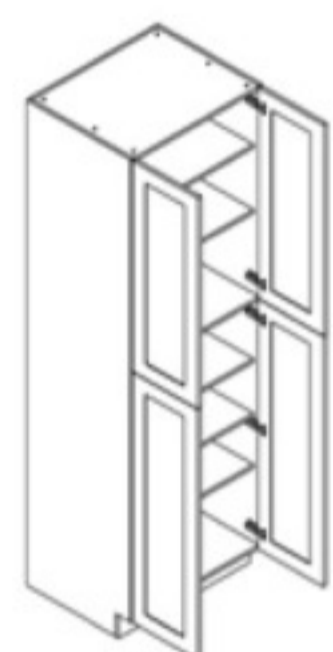
### Utility Cabinet 96"



Item	Width	Height	Depth	A	B	C
UC 1896	18	96	24	N/A	\$1,882	\$2,071
UC 2496	24	96	24	N/A	\$1,976	\$2,174
UC 3096	30	96	24	N/A	\$2,087	\$2,460

*Pull outs available.*

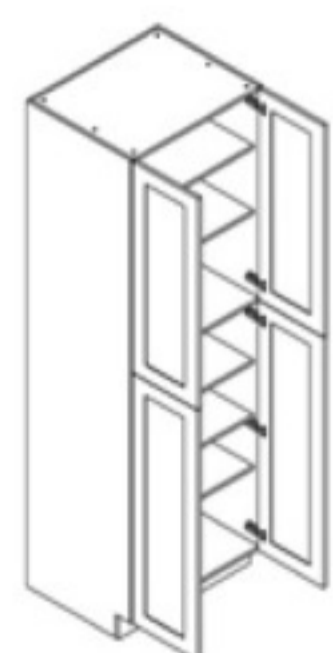
### Utility Cabinet 90"



Item	Width	Height	Depth	A	B	C
UC 1890	18	90	24	\$1,540	\$1,744	\$1,918
UC 2490	24	90	24	\$1,709	\$1,935	\$2,129
UC 3090	30	90	24	\$1,832	\$2,075	\$2,282

*Pull outs available.*

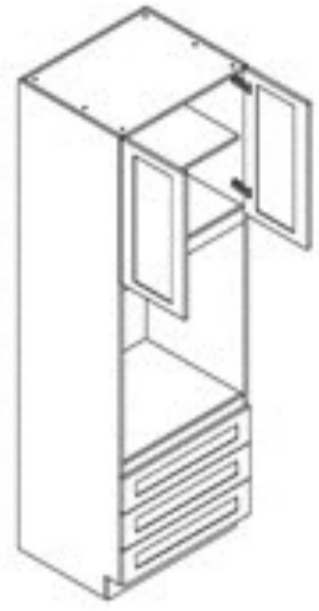
### Utility Cabinet 84"



Item	Width	Height	Depth	A	B	C
UC 1884	18	84	24	\$1,411	\$1,598	\$1,758
UC 2484	24	84	24	\$1,550	\$1,755	\$1,930
UC 3084	30	84	24	\$1,712	\$1,939	\$2,132

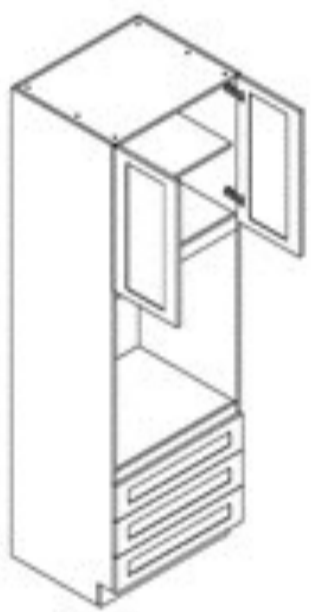
*Pull outs available.*

### Oven Cabinet 96"



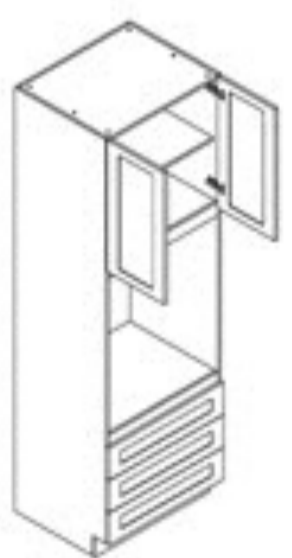
Item	Width	Height	Depth	A	B	C
OC 3096	30	96	24	N/A	\$2,329	\$2,562

### Oven Cabinet 90"



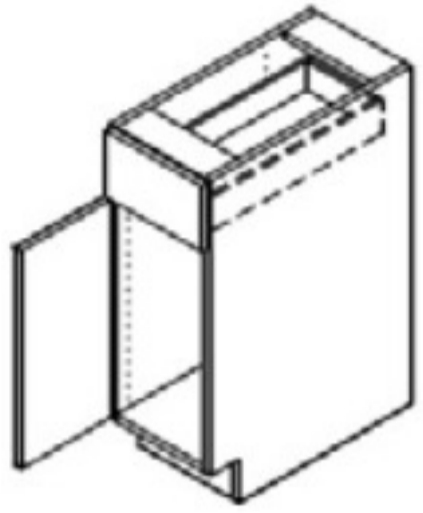
Item	Width	Height	Depth	A	B	C
OC 3090	30	90	24	\$1,959	\$2,218	\$2,440

### Oven Cabinet 84"



Item	Width	Height	Depth	A	B	C
OC 3084	30	84	24	\$1,852	\$2,097	\$2,306

#### Vanity Base



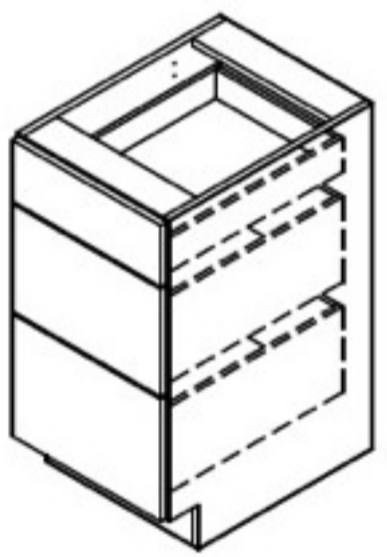
Item	Width	Height	Depth	A	B	C
VB-15	15	34 1/2	21	\$467	\$513	\$564
VB-18	18	34 1/2	21	\$511	\$562	\$618
VB-21	21	34 1/2	21	\$555	\$611	\$672

#### Vanity Sink Base



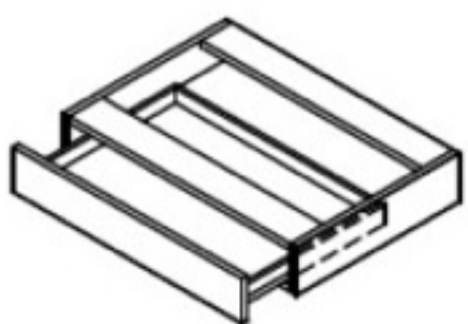
Item	Width	Height	Depth	A	B	C
VS-24	24	34 1/2	21	\$658	\$737	\$811
VS-30	30	34 1/2	21	\$692	\$784	\$863
VS-36	36	34 1/2	21	\$779	\$882	\$971

#### Vanity Drawer Base Cabinet



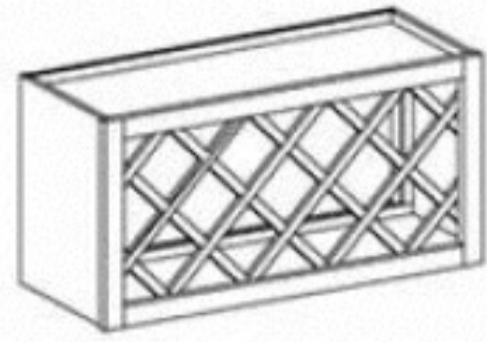
Item	Width	Height	Depth	A	B	C
VDB12-3	12	34 1/2	21	\$667	\$747	\$822
VDB15-3	15	34 1/2	21	\$699	\$783	\$861
VDB18-3	18	34 1/2	21	\$729	\$821	\$904

#### Vanity Knee Drawer



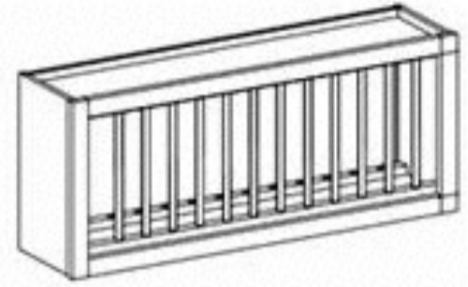
Item	Width	Height	Depth	A	B	C
VKD 24	24	7	21	\$125	\$141	\$155
VKD 30	30	7	21	\$135	\$155	\$170

### Wine Rack



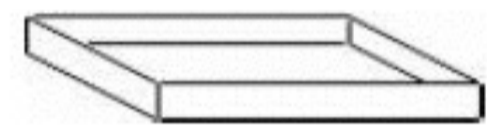
Item	Width	Height	Depth	A	B	C
WR 3612	36	12	12	\$447	\$506	\$557
WR 3615	36	15	12	\$465	\$527	\$580

### Wall China Display



Item	Width	Height	Depth	A	B	C
WCD 3615	36	15	12	\$633	\$717	\$788

### Pull Outs



Item	Width	Height	Depth	A	B	C
PO 18	18	3	20	\$89	\$89	\$89
PO 21	21	3	20	\$89	\$89	\$89
PO 24	24	3	20	\$93	\$93	\$93
PO 27	27	3	20	\$98	\$98	\$98
PO 30	30	3	20	\$110	\$110	\$110
PO 36	36	3	20	\$122	\$122	\$122

*Full extension Slides Included in natural finish*

### Lazy Susan Inserts (Kidneys)

Item	Size	A	B	C
LS Round Metal 33	33	\$320	\$320	\$320
LS Round Metal 36	36	\$320	\$320	\$320

### Soft Close Hinges

Item	A	B	C
Hinges	\$6	\$6	\$6

### Fillers 3"



Item	Width	Height	Depth	A	B	C
F 330	3	30	3/4	\$57	\$65	\$72
F 336	3	36	3/4	\$69	\$78	\$85
F 342	3	42	3/4	N/A	\$91	\$101
F 396	3	96	3/4	\$183	\$207	\$228

### Fillers 6"



Item	Width	Height	Depth	A	B	C
F 630	6	30	3/4	\$130	\$165	\$181
F 636	6	36	3/4	\$165	\$155	\$171
F 642	6	42	3/4	N/A	\$181	\$200
F 696	6	96	3/4	N/A	\$414	\$456

### Fluted Fillers 3"



Item	Width	Height	Depth	A	B	C
FF 330	3	36	3/4	\$86	\$100	\$110
FF 336	3	36	3/4	\$86	\$100	\$110
FF 342	3	42	3/4	\$106	\$116	\$128
FF 384	3	84	3/4	\$230	\$254	\$279
FF 390	3	90	3/4	\$247	\$272	\$299
FF 396	3	96	3/4	N/A	\$290	\$319

### Fluted Fillers 6"



Item	Width	Height	Depth	A	B	C
FF 630	3	30	3/4	\$130	\$171	\$188
FF 636	3	36	3/4	\$181	\$199	\$219
FF 642	3	42	3/4	\$213	\$232	\$255
FF 684	3	84	3/4	\$397	\$420	\$462
FF 690	3	90	3/4	\$427	\$450	\$495
FF 696	3	96	3/4	N/A	\$484	\$532

### Base End Panel



Item	Width	Height	Depth	A	B	C
BEP	3/4	34-1/2	23-3/4	\$130	\$147	\$162

### Refrigerator End Panel



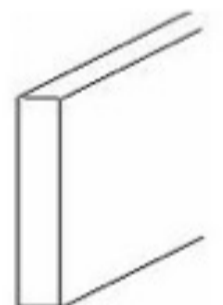
Item	Width	Height	Depth	A	B	C
REP 3696	36	96	3/4	\$410	\$410	\$451

### Finish Back Panel



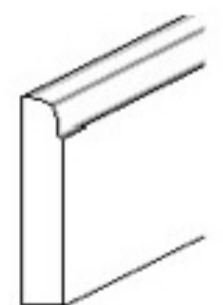
Item	Width	Height	Depth	A	B	C
FBP4896	96	48	1/8	\$240	\$272	\$299

### Toe Kick



Item	Width	Height	Depth	A	B	C
TK 96	96	4 1/2	1/8	\$52	\$59	\$65

### Base Moulding



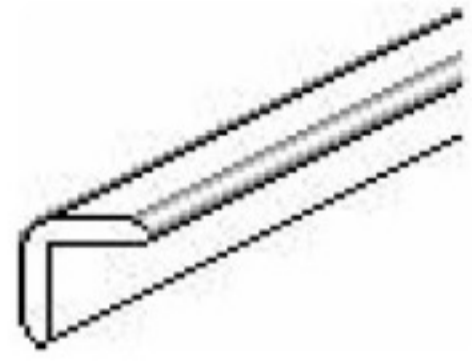
Item	Width	Height	Depth	A	B	C
BM 96	96	4 1/2	3/4	\$170	\$192	\$211

### Scribe Moulding



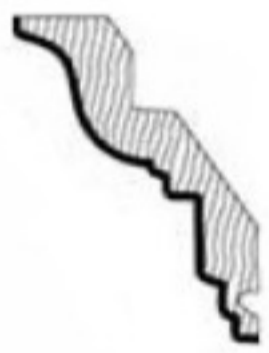
Item	Width	Height	Depth	A	B	C
SM 96	96	3/4	1/4	\$56	\$63	\$69

### Outside Corner Moulding



Item	Width	Height	Depth	A	B	C
OCM 96	96	3/4	1/4	\$80	\$90	\$99

### Classic Crown Moulding



Item	Width	Height	Depth	A	B	C
CCM	96	3 3/4	3/4	\$190	\$200	\$220

*CCM not available in Toscana / Modena / Hampton / Madison*

### Classic Cove Moulding



Item	Width	Height	Depth	A	B	C
CVC	96	3 3/4	3/4	N/A	N/A	\$220

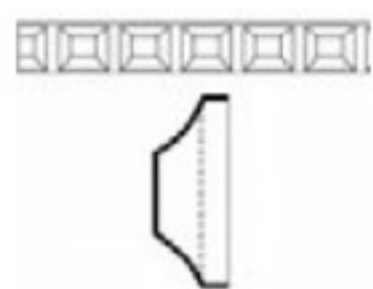
### Angle Crown Moulding



Item	Width	Height	Depth	A	B	C
ACM	96	3 3/4	3/4	N/A	\$276	\$304

*ACM not available in Prestige / Lexington / Camden / Rockport / Boardwalk*

### Small Dentil Insert



Item	Width	Height	Depth	A	B	C
SDI	96	1	1/2	\$62	\$65	\$72

*CCM not available in Toscana / Modena / Hampton / Madison*

### Ribbon Twist Insert



Item	Width	Height	Depth	A	B	C
RTI	96	1	1/2	\$65	\$68	\$75

*CCM not available in Toscana / Modena / Hampton / Madison*

### Light Moulding Classic



Item	Width	Height	Depth	A	B	C
LMC	96	2	3/4	\$129	\$142	\$156

### Light Moulding Shaker

Item	Width	Height	Depth	A	B	C
LMS	96	2	3/4	N/A	\$\$\$	\$\$\$

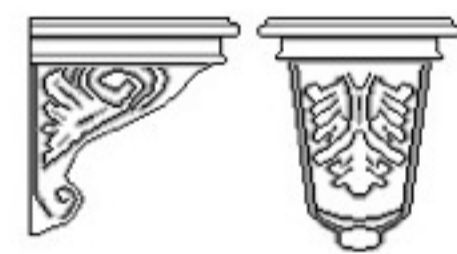
*CCM not available in Prestige, Rockport, Lexington, Camden*

### Valance



Item	Width	Height	Depth	A	B	C
VS36	36	5 1/2	3/4	\$158	\$179	\$197
VS48	48	5 1/2	3/4	\$178	\$201	\$221
VS60	60	5 1/2	3/4	\$197	\$223	\$245

### Corbel



Item	Width	Height	Depth	A	B	C
CRBL	5	10	5 3/4	\$571	\$647	N/A

*CCM not available in Toscana / Modena / Hampton / Madison*

### Corbel Shaker

Item	Width	Height	Depth	A	B	C
CRBLS	5	10	5 3/4	N/A	\$647	\$745

*CCM available only in Toscana / Modena / Hampton / Madison*



### Spindle Leg



Item	Width	Height	Depth	A	B	C
SP 4	4 3/4	42	4 3/4	\$623	\$706	\$777

*CCM not available in Toscana / Modena / Hampton / Madison*

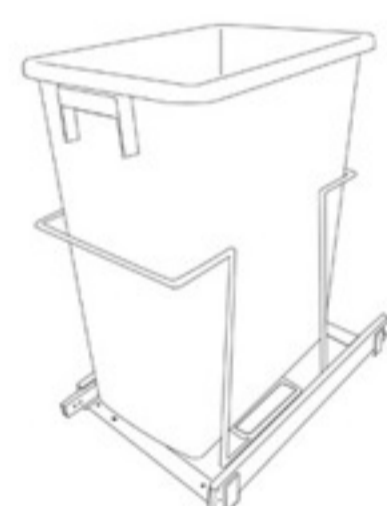
### Flute Square Post



Item	Width	Height	Depth	A	B	C
FSP 3 x 3	3	34 1/2	3	\$261	\$295	\$325
FSP 6 x 6	6	34 1/2	6	\$496	\$562	\$618

*CCM not available in Toscana / Modena / Hampton / Madison*

### Waste Bin



SINGLE WASTE BIN



DOUBLE WASTE BINS

Item	Width	Height	Depth	A
WBS Fit in B15 and bigger cabinet	17 3/4	10 1/4	20 1/2	\$157
WBD Fit in B21 and bigger cabinet	21	16 1/2	20 1/2	\$211

### Base Decorative Panel



Item	Width	Height	Depth	A	B	C
BDP2430	23 7/8	29 7/8	3/4	\$346	\$392	\$432

### Wall Decorative Panel



Item	Width	Height	Depth	A	B	C
WDP 1230	11 7/8	29 7/8	3/4	\$206	\$233	\$256
WDP 1236	11 7/8	35 7/8	3/4	\$233	\$264	\$290
WDP 1242	11 7/8	41 7/8	3/4	N/A	\$295	\$325

### Glass Doors



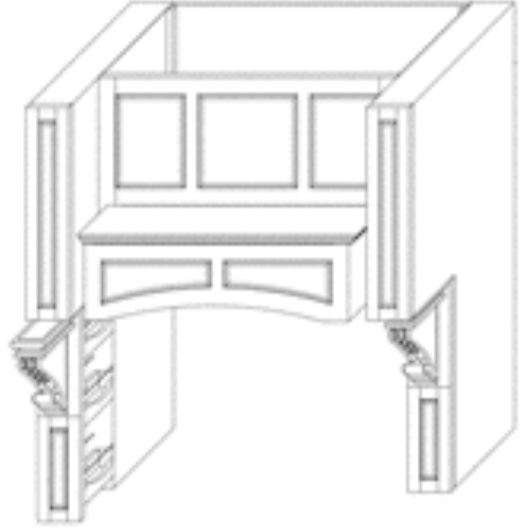
Item	Width	Height	Depth	A	B	C
GD 1230	11 7/8	29 7/8	3/4	\$175	\$198	\$218
GD 1530	14 7/8	29 7/8	3/4	\$200	\$227	\$250
GD 1830	17 7/8	29 7/8	3/4	\$229	\$259	\$285
GD 1236	11 7/8	35 7/8	3/4	\$202	\$229	\$252
GD 1536	14 7/8	35 7/8	3/4	\$228	\$258	\$284
GD 1836	17 7/8	35 7/8	3/4	\$251	\$284	\$313
GD 1242	11 7/8	41 7/8	3/4	N/A	\$277	\$305
GD 1542	14 7/8	41 7/8	3/4	N/A	\$290	\$319
GD 1842	17 7/8	41 7/8	3/4	N/A	\$309	\$340

### Glass Door Angle Wall Cabinet

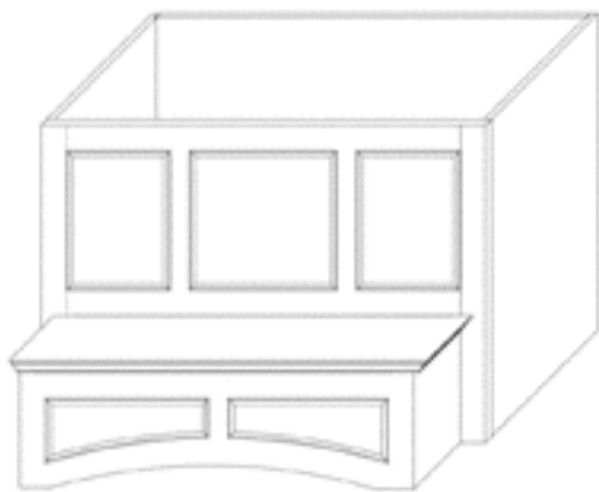


Item	Width	Height	Depth	A	B	C
GD AWC 243012	16	29-7/8	3/4	\$200	\$227	\$250
GD AWC 243612	16	35-7/8	3/4	\$228	\$258	\$284
GD AWC 244212	16	41-7/8	3/4	N/A	\$290	\$319
GD AWC 273615	16-5/8	35-7/8	3/4	\$246	\$279	\$306
GD AWC 274215	16-5/8	41-7/8	3/4	\$260	\$299	\$329

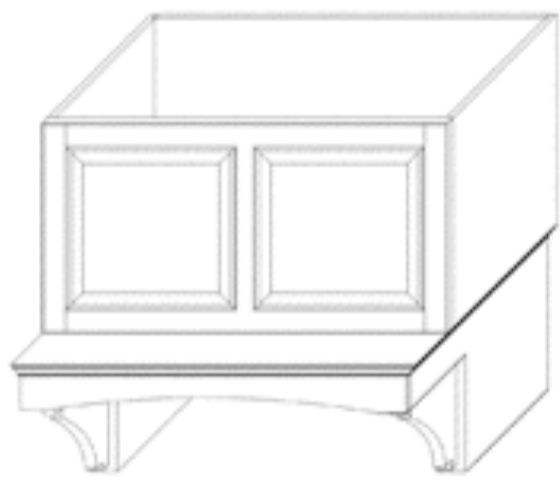
### Hoods



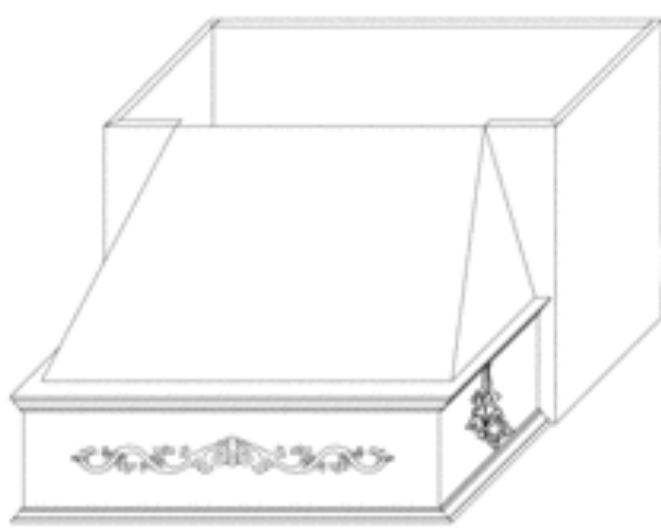
Item	Width	Height	Depth	A	B	C
RHS 6060	60	60	21	\$4170	\$4170	\$4170
RHS 6066	60	66	21			



Item	Width	Height	Depth	A	B	C
RHA 423018	42	30	21	\$1260	\$1260	\$1260
RHA 483018	48	30	21	\$1400	\$1400	\$1400
RHA 543018	54	30	21	\$1960	\$1960	\$1960



Item	Width	Height	Depth	A	B	C
RHC 4238	42	38	12	\$1790	\$1790	\$1790
RHC 4244	44	44	12	\$2000	\$2000	\$2000



Item	Width	Height	Depth	A	B	C
RHE 3024	30	24	12	\$1380	\$1380	\$1380
RHE 3624	36	24	12	\$1450	\$1450	\$1450

### COVERAGE OF WARRANTY

This warranty is effective on all cabinets imported by **Adornus Cabinetry Inc.**, and assembled by **WhoKnows** in the United States. This warranty is subject to all limitations, exclusions, disclaimers and procedures set forth herein. All cabinets purchased from Adornus are warranted to the original purchasing consumer for 10 years from the date of the original purchase or as long as the original purchasing consumer owns the home, whichever is less, against unnatural defects in material and workmanship under normal residential use. Any use of Adornus products other than for residential use are not covered under this warranty. This warranty is non transferable and does not cover cabinets sold or shipped outside of the United States,

### EXCLUSIONS

This warranty supersedes any and all previous warranties by Adornus and constitutes the exclusive remedy against Adornus cabinetry for all defects, damages and workmanship. There are no implied warranties extending beyond the terms of this warranty. Adornus shall not be liable for any incidental or consequential costs, expenses or damages. This warranty gives you specific legal rights, and you may also have other rights, which vary from state to state. It is possible that one or more of the limitations and exclusions in this warranty may not apply to you.

### LIMITATIONS

This warranty does not cover problems caused by unauthorized services, improper installation of cabinets, cabinetwork, drawer slides or hinges. This warranty does not cover items that have been modified from its original form. This warranty does not cover any product used or installed in connection with cabinets, such as gas or electric appliances, countertops, or plumbing fixtures. This warranty does not cover damage caused by transportation, storage, dirt, exposure to moisture or excessive heat or cold, nor does it cover defects arising from regular wear and tear, misuse, neglect, accidents, alterations, improper use or failure to maintain properly. No contractor, retailer, distributor, agent or employee of Adornus has the authority to alter obligations or limitations in this warranty. This warranty does not cover improper and or extreme changes with regards to atmospheric conditions within the home not being properly maintained on a consistent level.

### DISCLAIMERS

The following is a brief recap of some of the characteristics of the wood and finishes on the cabinets you are about to purchase. Please read them carefully. If some of these characteristics concern you, please choose something else. We bring these characteristics to your attention so you will realize that Adornus will not be held responsible for these variations in your cabinetry.

**WOOD AND COLOR VARIATIONS:** Wood is a product of nature, and since no two trees are alike, cabinets may vary in color, texture and grain. Wood characteristics naturally occurring such as variations in color, grain, mineral streaks, pinholes and knots are not considered defects. Color variations in cabinets are also a natural occurrence due to species, age, character of cabinets, and exposure to UV light and sunlight. For these reasons, new and/or replacement cabinets may not match display samples and/or existing cabinets. This may result in overall color variations, but is not considered a defect.

**GLAZED FINISHES:** A glazed finish by character is an uneven finish. Some edges and profiles will have heavier hang up than others and glazing may vary from cabinet to cabinet, door to drawer and item to item. This may result in overall color variations but is not considered a defect.

**PAINTED FINISHES:** Wood by nature will undergo expansion and contraction movements year after year as it compensates and adjusts to ever changing atmospheric humidity and temperature conditions. As such, finish stress lines may become visible on painted cabinets especially at the joints. Any such occurrence is not considered a defect.

### WARRANTY PERFORMANCE

If a defect does occur within the terms and conditions of this warranty, such defective part will be repaired or replaced by Adornus at its sole discretion. Adornus will not provide or pay for the cost of removal of defective product, transportation of defective, repaired or replaced product or installation of repaired or replaced product. Adornus will not be responsible for any shipping damages to the defective, replaced or repaired product. If defective item has been discontinued or is not available at the time, Adornus reserves the right to replace the item with the most similar item available at that time. Adornus may require at its discretion that the customer submit a clear photo, or that a company representative view the item being claimed before honoring this warranty.

### CLAIMS

To submit a claim covered under this warranty, the original proof of purchase or a copy must be provided. Please email all documents with pictures stating and showing defects and or issues to your Sales Representative in order to receive RMA# and authorization for said claim.

### NOTE

Please do not send back any items to Adornus prior to receiving proper authorization from customer service. Adornus takes no responsibility on any items sent back to Adornus without proper return authorization.